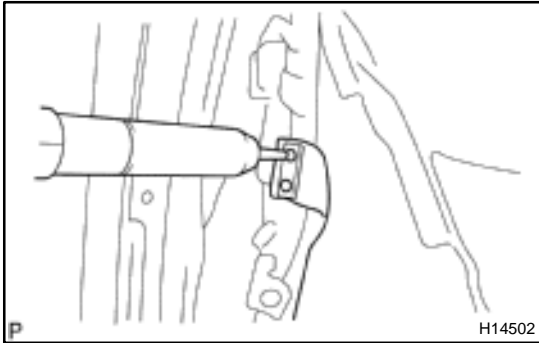


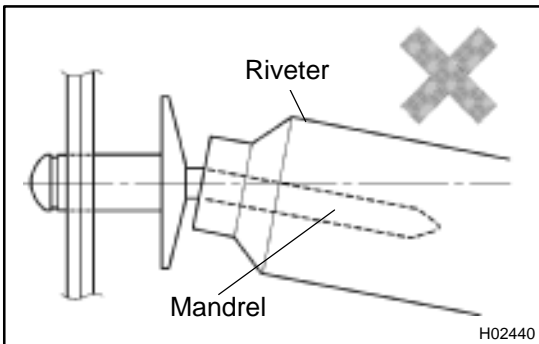
REASSEMBLY

1. INSTALL TARPAULIN COVER

(a) Set the tarpaulin cover on the link assembly.

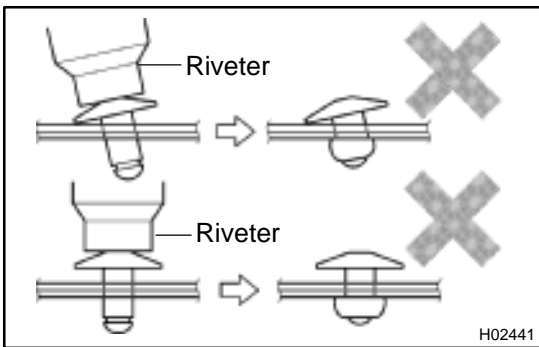


(b) Rivet the band on the link using a pneumatic riveter or hand riveter.

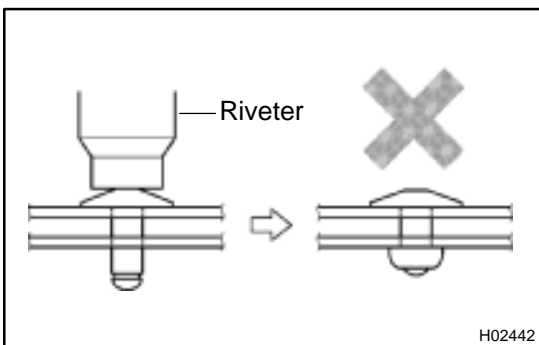


NOTICE:

- Do not prize a riveter, as riveter is damaged, it is not tightened and the mandrel is bent.



- Do not tilt the riveter and disconnect the rivet from the material while operating a riveter otherwise, the materials could not be tightened firmly.



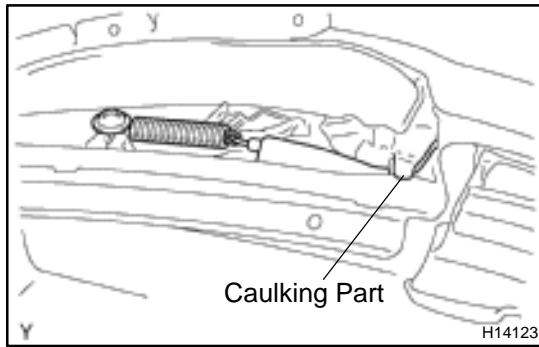
- Install the rivet while attaching materials, as they are not be tightened firmly.

(c) Apply the front part of the tarpaulin cover over the link header part.

(d) Put the front part of the tarpaulin cover over the link.

NOTICE:

Pull the both edges of the cover in order to prevent wrinkles.



- (e) Tighten the wire at the link side.
 (f) After caulking the wire, affix the butyl tape to that position.

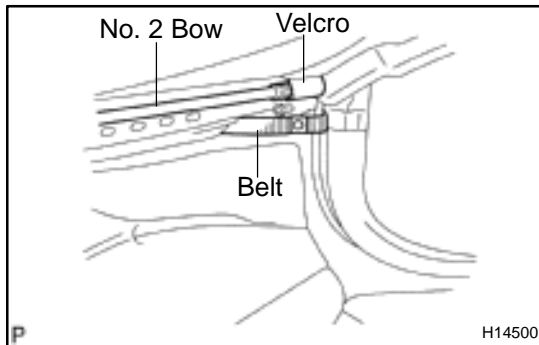
NOTICE:

Failing to tighten the caulking part securely may cause a break of the cover on the side.

- (g) install the spring with the screw.

NOTICE:

If the spring or the wire is leant toward either right or left, this may cause a wind noise.

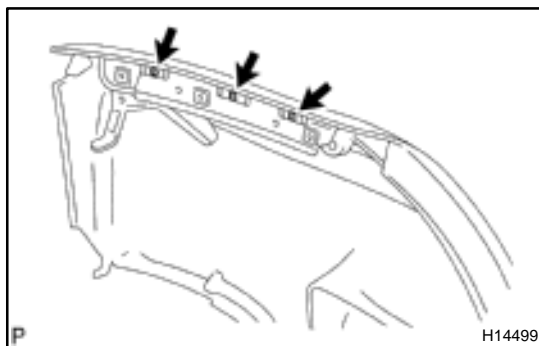


- (h) Retain the tarpaulin belt wound around the link side with a button.

- (i) Wind the velcro of the tarpaulin.

NOTICE:

Secure the space for winding the cloth.



- (j) Install the tarpaulin cover to the link side part with the 6 screws.

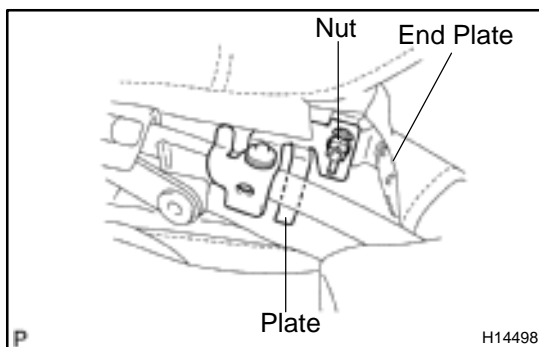
NOTICE:

Pay due attention, because the screws on the vehicle back end are short.

- (k) Install the set plate with the 6 screws.

NOTICE:

When installing, use the center screw first.



- (l) Apply adhesive to 2 or 3 threads of the mounting nut.

- (m) Install the end plate.

Adhesive: Part No. 08833-00070, THREE BOND 1324 or equivalent

NOTICE:

Do not let the head of the bolt sticking up over the nut upper surface. Pinch the plate, while taking care of the plate facing direction.

HINT:

Over-tightening of the nut causes a wind noise.

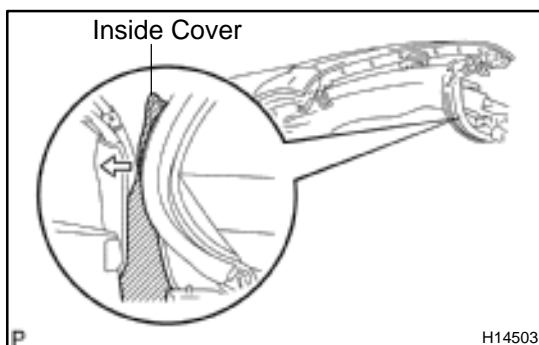
- (n) Put the cloth for the inside tarpaulin cover into the inside.

- (o) Install the rear of the tarpaulin cover to the stud bolt on the body side.

NOTICE:

Take care not to damage the glass.

- (p) Tighten the upper tarpaulin cover retainer with the 7 nuts.

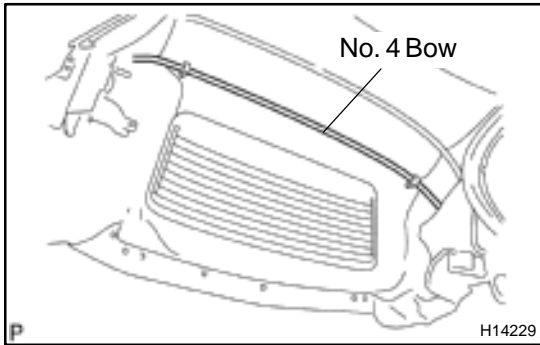


(q) Affix the tailgate lower seal with velcro.

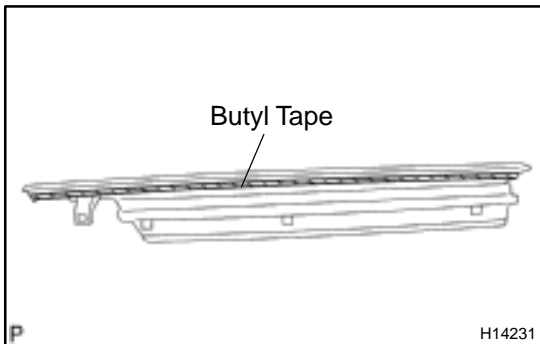
NOTICE:

Be careful that the inside cover or the tarpaulin is not caught.

(r) By making the tarpaulin assembly in a close condition, lock it.



(s) Pull No. 4 bow as shown in the illustration.



(t) Install the center roof drip side finish mouldings.

(1) Using a scraper, remove the adhesive sticking to the finish moulding.

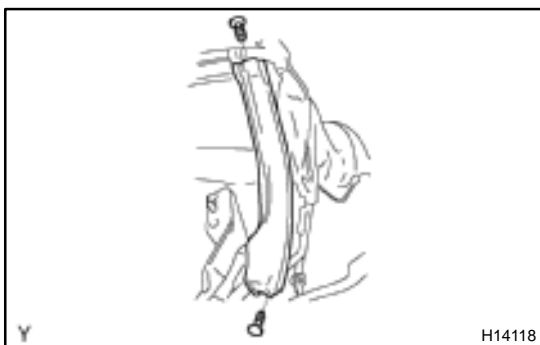
(2) Clean the roof side rail finish moulding.

(3) Apply butyl tape to the groove on the back of the moulding.

(4) Install the roof side rail finish moulding with the screws by matching them with marking.

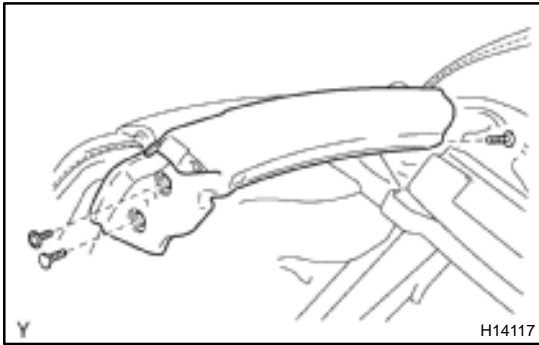
(u) Employ the same manner described above to the other side.

(v) Install the rear roof side finish mouldings.

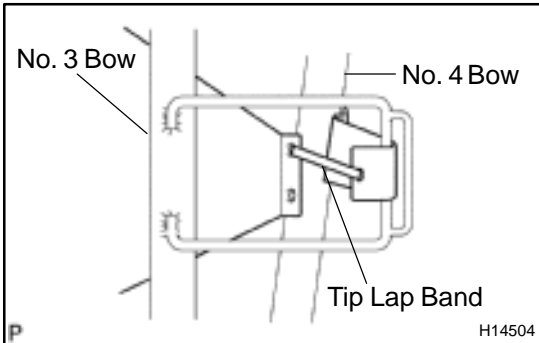


(w) Install the rear roof side rail weatherstrip with the 2 clips.

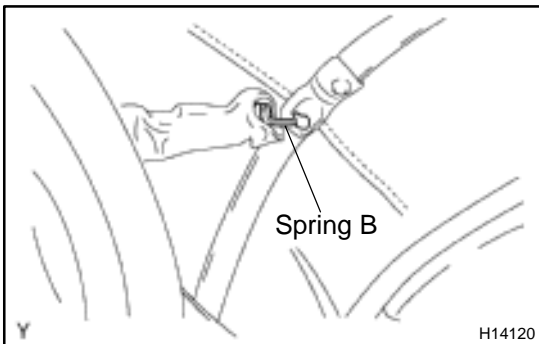
(x) Employ the same manner described above to the other side.



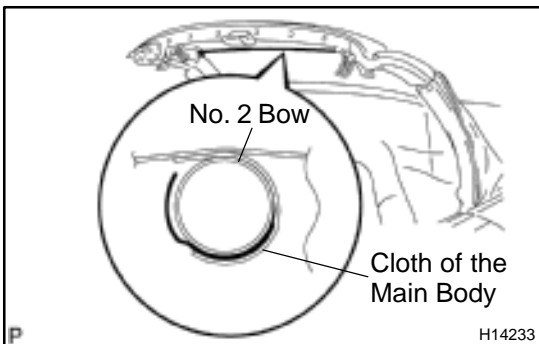
- (y) Install the front roof side rail weatherstrip with the screw and 2 clips.
- (z) Employ the same manner described above to the other side.
- (aa) Affix the inside cover with velcro.



- (ab) As shown in the illustration, put a cloth and a band through No. 3 bow guide, and fix with a tie lap band.
 - Fix with a band while checking the tension at the tarpaulin cover side.
 - After installing the band, cut it by 5 mm (0.20 in.) or less.

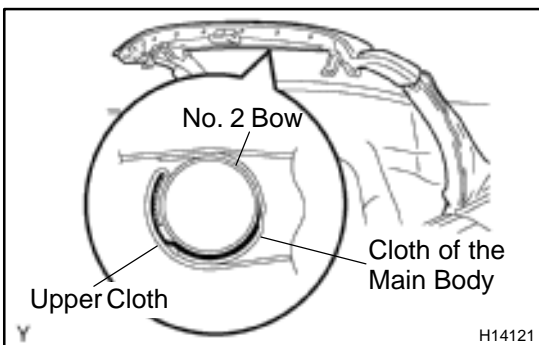


- (ac) Install the spring B.
 - Be sure to install the spring B securely to the groove.
 - Check the tension of the link upper part of the tarpaulin cover.
 - Check that the side of the cover is not caught in the link when opening or closing the tarpaulin assembly.



- (ad) Peel off the parting paper of the double adhesive tape, install the cloth of the main body side to No. 2 bow.

CAUTION:
Install the cloth of the main body side while checking that it is not stretched too much.



- (ae) By making the tarpaulin assembly in a half-open condition, install the upper cloth by hanging it on the hook.
- 2. INSTALL CENTER TARPAULIN BOW STAY CATCH HANDLE**
 Install the center tarpaulin bow stay handle with the 2 screws.
Torque: 62 N·m (630 kgf·cm, 45 ft·lbf)

3. INSTALL TARPAULIN LOCKS

- (a) Apply adhesive to 2 or 3 threads of the mounting screw end.

Adhesive: Part No. 08833-00070, THREE BOND or equivalent

- (b) Install the tarpaulin lock with the 3 screws.

Torque: 62 N·m (630 kgf·cm, 45 ft·lbf)

- (c) Employ the same manner described above to the other side.